

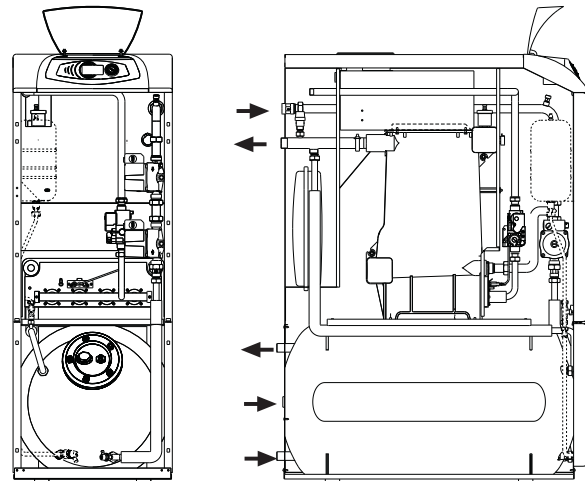
# PEGASUS D K 130

## CAST IRON ATMOSPHERIC GAS BOILER, INCLUDING DOMESTIC HOT WATER ENAMELLED STORAGE TANK



- **3 stars** efficiency according to 92/42 EEC for 30 and 40 models
- Digital control panel suitable for connection to opentherm **modulating remote control** and **outdoor probe** (optionals)
- Evolved **digital** interface for planning and monitoring of CH-DHW temperatures and advanced features (economy, legionella protection, troubleshooting ect)
- Stainless steel AISI 304 atmospheric gas burner
- Gas valve with adjustable output according to the installation's requirement, thus allowing unchanged combustion quality and excellent performances
- Central Heating **frost protection** system
- **130 ltrs** enamelled steel hot water **storage**
- DHW storage tanks are equipped with connection for a recirculation loop, for immediate availability of hot water to the user

### SCHEME



MOD. D45 K 130



\* except model 45 K 130

**SPECIFIC OPTIONS:** 032007X0 kit DHW expansion vessel and filling valve.

MODEL			D 30 K 130	D 40 K 130	D 45 K 130
Heat input	Max Heating	kW	32,2	42,9	49,5
	Min	kW	14,9	19,7	19,7
Heat output	Max Heating	kW	30,2	40,1	45,0
	Min	kW	13,5	17,7	17,2
Efficiency	80°C - 60°C	Pmax %	93,7	93,5	90,9
	30% partial load	%	91,8	92,5	91,6
Energy marking (92/42 EC)			★★★	★★★	★★
Section		Quantity	4	5	5
DHW content		litres	130	130	130
DHW production	Δt 30°C	l/10min	250	250	250
	Δt 30°C	l/h	850	850	850
Heating operating pressure	Max	bar	6	6	6
Empty weight		kg	250	275	275
Dimensions	WxHxD	mm	500x1345x950	500x1345x950	500x1345x950