

Aircooled liquid chillers CFT series, scroll compressors, plate evaporator, condenser with copper tubes and aluminium finned core and axial fans

Air Conditioning Cooling Application	Model	008	010	012	016	018	022	030	038	045	055	061	070
NOMINAL COOLING CAPACITY (1)	kW	7,9	9,3	12,2	13,5	18,0	22,0	31,0	37,0	45,0	55,0	61	67
TOTAL COMPRESSORS NOMINAL ABSORBED POWER (1)	kW	2,6	3,4	3,9	5,2	5,8	6,7	8,4	11,5	12,4	17,3	16,4	19,3
EER		2,77	2,55	2,78	2,37	2,78	2,93	3,15	2,82	3,25	2,91	3,01	2,89
ESEER		3,32	3,58	3,16	3,48	3,35	3,36	4,01	3,59	3,99	3,71	4,50	4,64
COMPRESSORS	nr.	1	1	1	1	1	1	1	1	1	1	2	2
REFRIGERATING CIRCUITS	nr.	1	1	1	1	1	1	1	1	1	1	1	1
PARTITION STEP	nr.	1	1	1	1	1	1	1	1	1	1	1/1	1/1
REFRIGERANT		R410A											
HYDRAULIC SECTION													
NOMINAL WATER FLOW	m3/h	1,4	1,6	2,1	2,3	3,1	3,8	5,3	6,4	7,7	9,5	10,5	11,5
WATER FLOW RANGE	m3/h	1,2÷2,4	1,2÷3	1,2÷3	1,2÷3	2,3÷5	3÷6	3,5÷6	6÷12	6÷12	6÷12	8÷17	8÷17
TYPE OF EVAPORATOR		Braze Plate evaporator											
EVAPORATOR PRESSURE DROP	kPa	41,5	53,7	41,9	50,0	44,6	66,1	70,3	50,1	45,6	54,7	66,0	46,8
AVAILABLE PRESSURE (3)	kPa	243	241	247	234	232	204	178	229	227	213	166	184
MAXIMUM PUMP ABSORBED POWER (3)	P3 kW	0,88	0,98	0,98	0,98	0,98	1,28	1,28	2,20	2,20	2,20	2,53	2,53
MAXIMUM PUMP ABSORBED CURRENT (3)	A	1,65	1,78	1,78	1,78	1,78	2,37	2,37	4,24	4,24	4,24	4,56	4,56
AVAILABLE PRESSURE (4)	kPa	532	476	454	370	515	454	342	548	514	446	405	423
MAXIMUM PUMP ABSORBED POWER (4)	P5 kW	1,10	1,10	1,10	1,10	1,47	1,47	1,47	2,94	2,94	2,94	6,12	6,12
MAXIMUM PUMP ABSORBED CURRENT (4)	A	2,17	2,17	2,17	2,17	2,86	2,86	2,32	5,83	5,83	5,83	10,4	10,4
HYDRAULIC CONNECTIONS	BSP/DN	1"	1"	1"	1"	1"	1"	1 1/2"	1 1/2"	1 1/2"	1 1/2"	2"	2"
TANK VOLUME (5) (6)	dm3	50	50	50	50	110	110	200	200	200	200	390	390
EXPANSION VESSEL VOLUME (7)	liters		5			8		12				19	
FAN SECTION (AXIAL)													
TOTAL AIR FLOW	m3/h	4100	4100	4750	4750	6500	7400	16000	16400	15000	15600	25000	36000
FANS	nr.	1	1	1	1	1	1	2	2	2	2	2	2
FANS ABSORBED POWER	kW	0,25	0,25	0,49	0,49	0,68	0,81	1,44	1,62	1,44	1,62	3,88	3,88
FANS ABSORBED CURRENT	A	1,10	1,10	2,40	2,40	3,00	1,50	2,82	3,08	2,82	3,08	7,80	7,80
TOTAL ELECTRIC DATA IP54 protection rating, chillers suitable for outdoor installation													
NOMINAL ABSORBED POWER (8)	kW	2,9	3,7	4,4	5,7	6,5	7,5	9,8	13,1	13,8	18,9	18,9	23,2
MAXIMUM ABSORBED CURRENT (F.L.A.) (8)	A	8,4	8,7	10,6	12,2	17,0	21,3	22,0	27,6	32,8	39,5	43,4	51,5
MAXIMUM PEAK CURRENT (L.R.A.) (8)	A	48,0	48,0	69,0	69,0	73,0	104,0	118,0	140,0	174,0	225,0	142,2	167,0
MAXIMUM PEAK CURRENT WITH SOFT-START OPTION (L.R.A.)	A	NA	NA	NA	NA	NA	NA	94,4	112,0	139,2	180,0	118,6	139,0
ELECTRIC FEED	V/Ph/Hz	400/3/50/N						400/3/50					
NOISE DATA													
SOUND PRESSURE FOR STANDARD CONFIGURATION (2) (8)	dB(A)	50,0	50,0	50,0	50,0	51,3	54,3	53,5	57,1	54,3	58,6	57,3	59,2
SOUND PRESSURE FOR LOW NOISE CONFIGURATION (2) (8)	dB(A)	NA	NA	NA	NA	NA	NA	52,3	56,2	52,6	56,8	56,3	58,2
DIMENSIONS AND WEIGHT													
LENGTH	mm	820	820	820	820	1010	1010	1610	1610	1610	1610	2220	2220
WIDTH	mm	615	615	615	615	720	720	860	860	860	860	1100	1100
HEIGHT	mm	1360	1360	1360	1360	1580	1580	1540	1540	1540	1540	2100	2100
WEIGHT EMPTY (6)	kg	135	135	140	140	165	205	275	280	295	375	530	560
WEIGHT OPERATIVE (6)	kg	135	135	140	140	165	205	280	285	300	380	545	575

The manufacturer reserves the right to modify specifications without notice.

Updated on 08/07/16

Data referred to:

- (1) Inlet/Outlet water temperature = +12/+7 °C - Condenser air temperature = +35°C; fouling factor = 0.00043 m²K/W
- (2) Sound pressure level referred to measures according to normative ISO3744, pressure level at distance of 10 m, referred to free field on reflecting surface
- (3) Data referred to WP option (chiller with inbuilt pump P3)
- (4) Data referred to PH option (chiller with inbuilt pump P5)

- (5) Data referred to CST / SST option (chiller with inbuilt tank)
- (6) Minimum water content for the hydraulic circuit to be verified
- (7) Data referred to XV option (expansion vessel kit)
- (8) Data referred to standard chiller configuration NT.NP (chiller without pump and without tank)

Aircooled liquid chillers CFT series, scroll compressors, plate evaporator, condenser with copper tubes and aluminium finned core and axial fans

Air Conditioning Cooling Application	Model	075	090	100	130	160	185	200	230	280	340	370	430	480
NOMINAL COOLING CAPACITY (1)	kW	72	88	100	115	150	170	204	227	277	319	365	410	440
TOTAL COMPRESSORS NOMINAL ABSORBED POWER (1)	kW	22,4	25,2	29,1	35,6	45,6	52,4	55,2	66,8	85,2	97,8	108,0	125,0	143,6
EER		2,74	3,03	3,03	2,92	2,92	2,92	3,24	2,97	2,92	2,97	3,05	3,00	2,83
ESEER		4,31	4,43	4,48	4,28	4,06	4,24	4,51	4,27	4,31	4,31	4,35	4,32	4,17
COMPRESSORS	nr.	2	2	2	4	4	4	4	4	4	4	4	4	4
REFRIGERATING CIRCUITS	nr.	1	1	1	2	2	2	2	2	2	2	2	2	2
PARTITION STEP	nr.	1/1	1/1	1/1	2/2	2/2	2/2	2/2	2/2	2/2	2/2	2/2	2/2	2/2
REFRIGERANT		R410A												
HYDRAULIC SECTION														
NOMINAL WATER FLOW	m3/h	12,4	15,1	17,2	19,8	25,8	29,2	35,1	39,0	47,6	54,9	62,8	70,5	75,7
WATER FLOW RANGE	m3/h	8÷17	8÷17	8÷21	14÷34	14÷34	14÷34	22÷47	22÷47	25÷60	30÷70	35÷80	35÷87	35÷87
TYPE OF EVAPORATOR		Brazen Plate evaporator												
EVAPORATOR PRESSURE DROP	kPa	53,4	51,2	47,9	59,3	57,6	48,0	39,2	43,1	50,5	53,1	55,0	53,8	50,4
AVAILABLE PRESSURE (3)	kPa	176	172	171	206	203	208	271	263	244	227	222	217	214
MAXIMUM PUMP ABSORBED POWER (3)	P3 kW	2,53	2,53	2,53	4,56	4,56	4,56	8,30	8,30	8,30	8,30	10,20	10,20	10,20
MAXIMUM PUMP ABSORBED CURRENT (3)	A	4,56	4,56	4,56	7,75	7,75	7,75	14,1	14,1	14,1	14,1	17,4	17,4	17,4
AVAILABLE PRESSURE (4)	P5 kPa	416	410	406	446	441	444	486	479	466	453	438	409	406
MAXIMUM PUMP ABSORBED POWER (4)	kW	6,12	6,12	6,12	10,20	10,20	10,20	16,22	16,22	16,22	16,22	16,22	19,94	19,94
MAXIMUM PUMP ABSORBED CURRENT (4)	A	10,4	10,4	10,4	17,4	17,4	17,4	26,6	26,6	26,6	26,6	26,6	32,7	32,7
HYDRAULIC CONNECTIONS	BSP/DN	2"	2"	2"	DN65	DN65	DN65	DN125	DN125	DN125	DN125	DN150	DN150	DN150
TANK VOLUME (5) (6)	dm3	390	390	390	390	390	390	390	500	500	500	500	500	500
EXPANSION VESSEL VOLUME (7)	liters	19												
FAN SECTION (AXIAL)														
TOTAL AIR FLOW	m3/h	36000	34000	32000	40000	57000	54000	68800	91000	90000	85000	102000	96000	96000
FANS	nr.	2	2	2	2	3	3	4	5	5	5	6	6	6
FANS ABSORBED POWER	kW	3,88	3,88	3,88	3,88	5,82	5,82	7,76	9,70	9,70	9,70	11,64	11,64	11,64
FANS ABSORBED CURRENT	A	7,80	7,80	7,80	7,80	11,70	11,70	15,60	19,50	19,50	19,50	23,40	23,40	23,40
TOTAL ELECTRIC DATA IP54 protection rating, chillers suitable for outdoor installation														
NOMINAL ABSORBED POWER (8)	kW	26,3	29,1	33,0	39,4	51,4	58,2	63,0	76,5	94,9	107,5	119,6	136,6	155,2
MAXIMUM ABSORBED CURRENT (F.L.A.) (8)	A	56,8	67,8	74,2	84,7	109,7	131,7	148,5	165,3	197,9	227,3	260,6	289,6	318,6
MAXIMUM PEAK CURRENT (L.R.A.) (8)	A	172,3	211,8	262,8	183,5	225,2	275,7	337,0	353,8	425,3	478,0	511,3	623,8	652,8
MAXIMUM PEAK CURRENT WITH SOFT-START OPTION (L.R.A.)	A	144,3	177,0	217,8	159,9	197,2	240,9	292,0	308,8	370,9	416,0	449,3	542,2	571,2
ELECTRIC FEED	V/Ph/Hz	400/3/50												
NOISE DATA														
SOUND PRESSURE FOR STANDARD CONFIGURATION (2) (8)	dB(A)	59,3	59,5	60,3	59,5	61,3	61,5	63,3	64,6	66,0	66,0	66,4	67,8	68,9
SOUND PRESSURE FOR LOW NOISE CONFIGURATION (2) (8)	dB(A)	58,3	58,3	58,7	58,3	60,1	60,2	61,7	62,8	63,5	63,5	64,0	64,8	65,4
DIMENSIONS AND WEIGHT														
LENGTH	mm	2220	2220	2220	3355	3355	3355	4355	5350	5350	5350	6350	6350	6350
WIDTH	mm	1100	1100	1100	1105	1105	1105	1105	1105	1105	1105	1105	1105	1105
HEIGHT	mm	2100	2100	2100	2180	2180	2180	2180	2180	2180	2180	2180	2180	2180
WEIGHT EMPTY (6)	kg	565	585	670	1000	1050	1100	1690	1915	2070	2150	2410	2565	2670
WEIGHT OPERATIVE (6)	kg	580	600	685	1025	1080	1135	1710	1950	2110	2195	2455	2615	2730

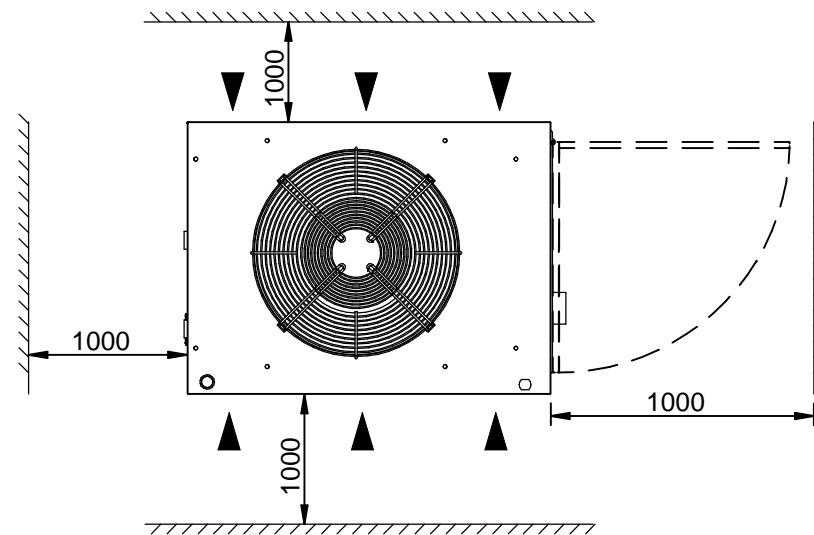
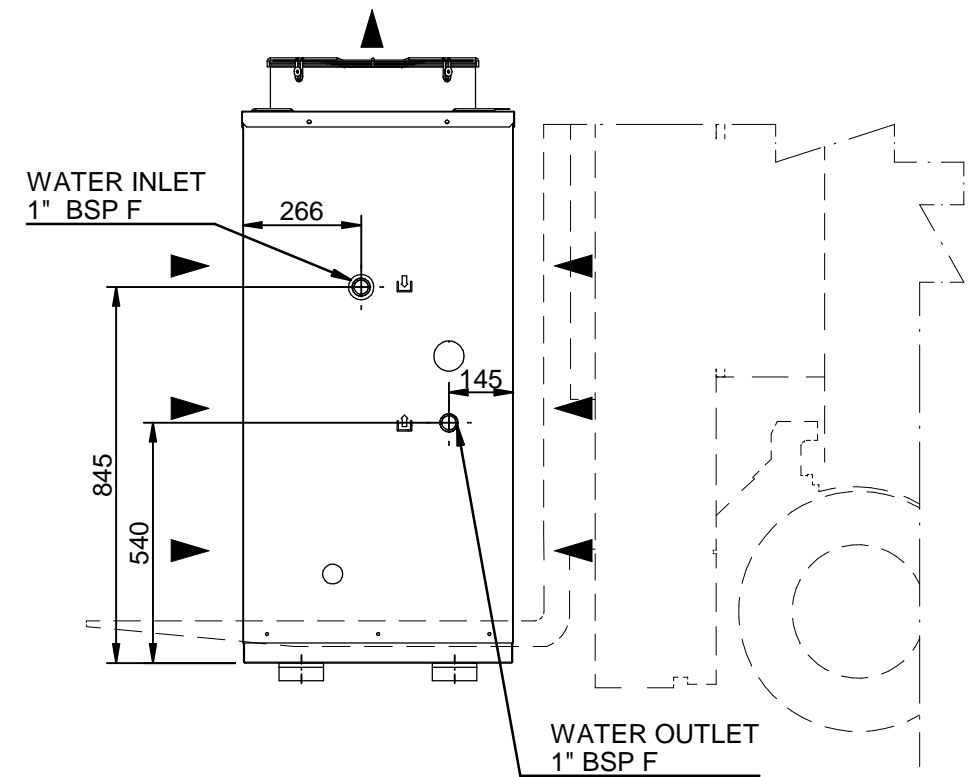
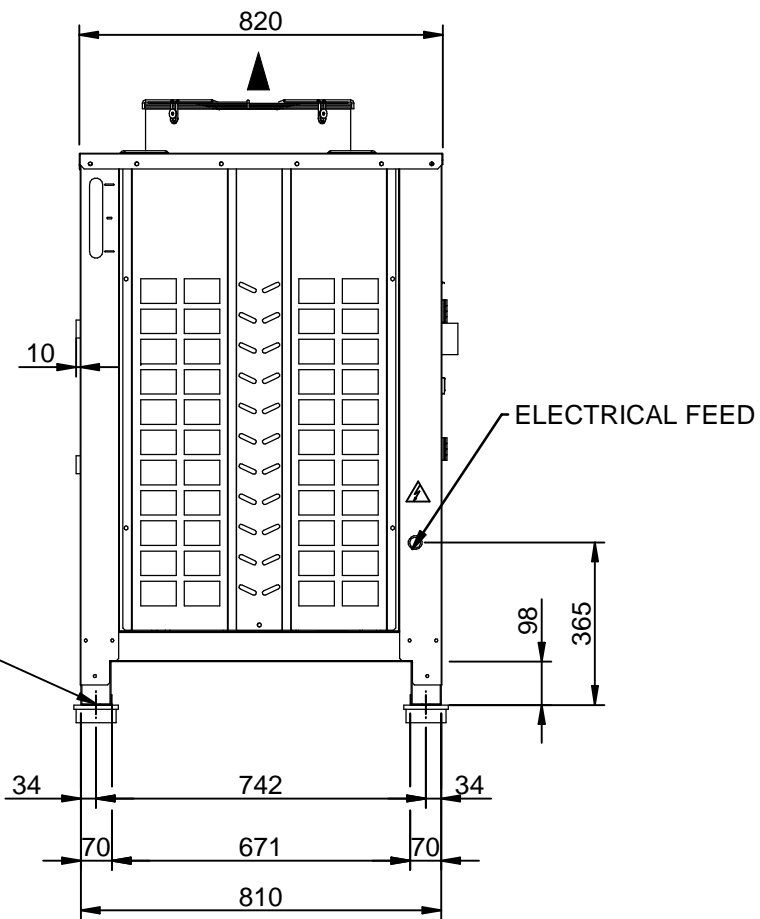
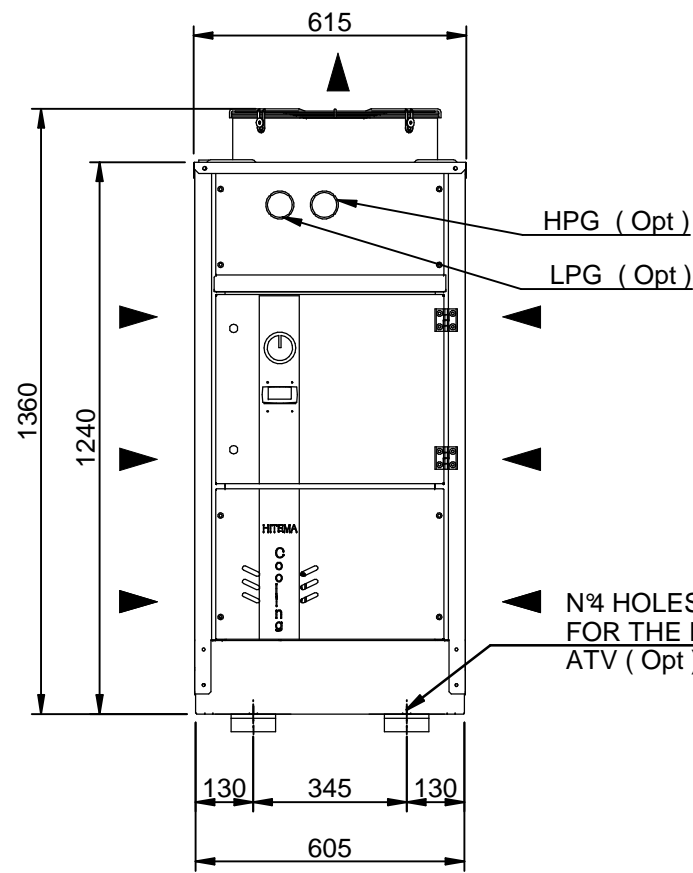
The manufacturer reserves the right to modify specifications without notice.

Updated on 08/07/16

Data referred to:

- (1) Inlet/Outlet water temperature = +12/+7 °C - Condenser air temperature = +35°C; fouling factor = 0.000043 m²K/W
- (2) Sound pressure level referred to measures according to normative ISO3744, pressure level at distance of 10 m, referred to free field on reflecting surface
- (3) Data referred to WP option (chiller with inbuilt pump P3)
- (4) Data referred to PH option (chiller with inbuilt pump P5)

- (5) Data referred to CST / SST option (chiller with inbuilt tank)
- (6) Minimum water content for the hydraulic circuit to be verified
- (7) Data referred to XV option (expansion vessel kit)
- (8) Data referred to standard chiller configuration NT.NP (chiller without pump and without tank)

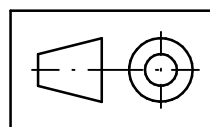


LEGEND

HPG	High pressure gauge (Opt)
LPG	Low pressure gauge (Opt)
ATV	Rubber type antivibrant mounting (Opt)

LIFTING AND CARRIAGE PRECAUTIONS

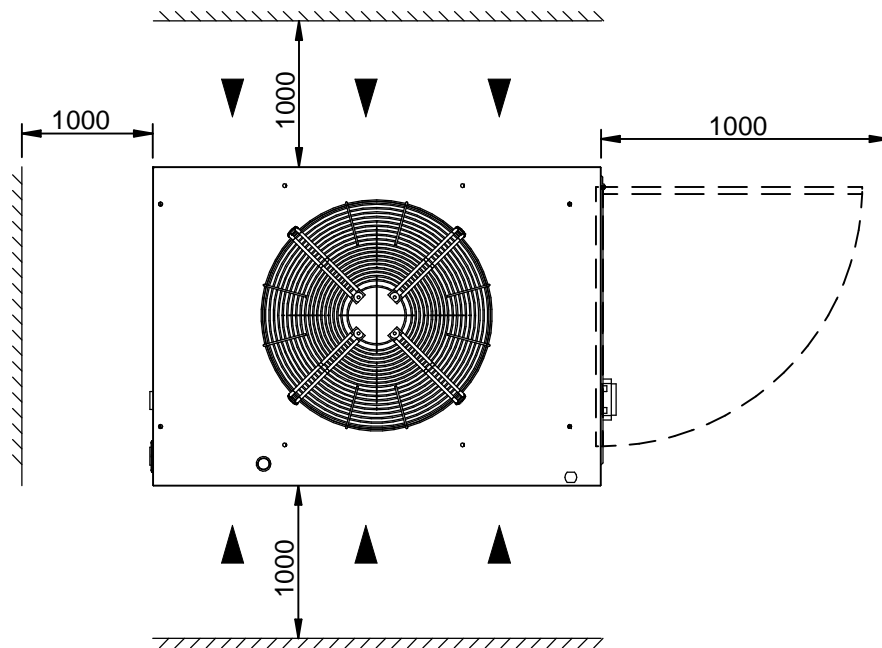
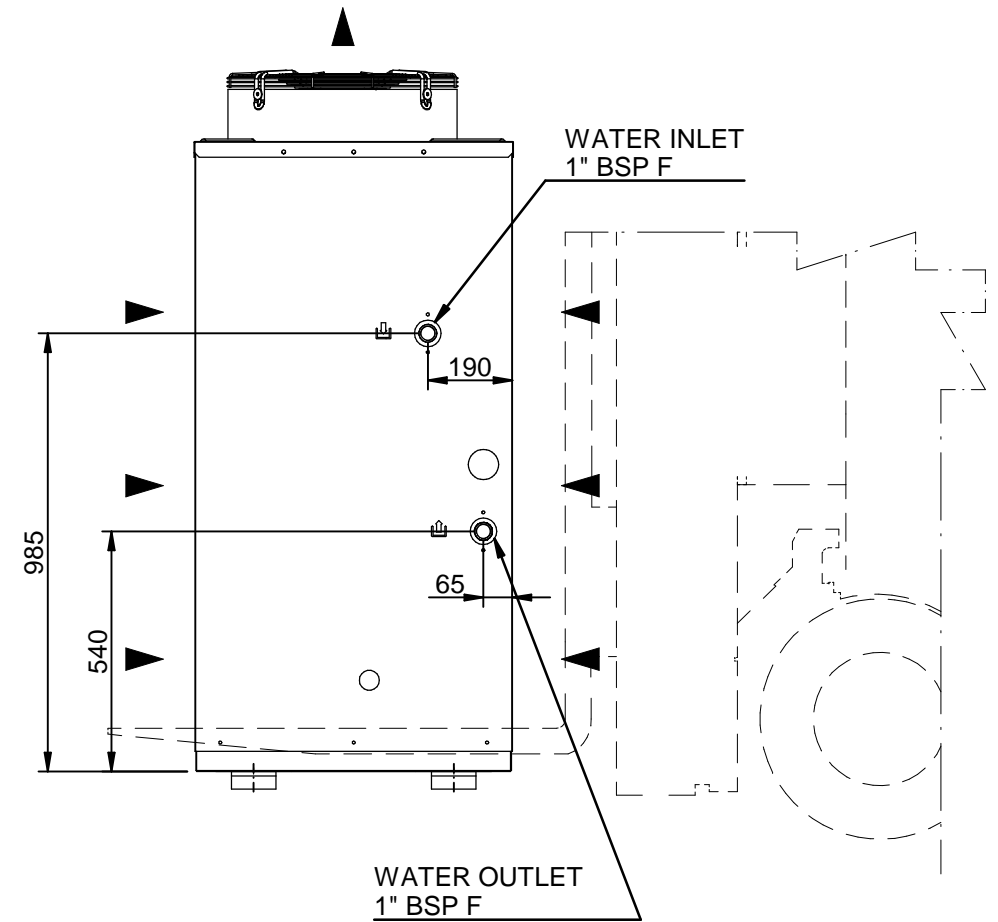
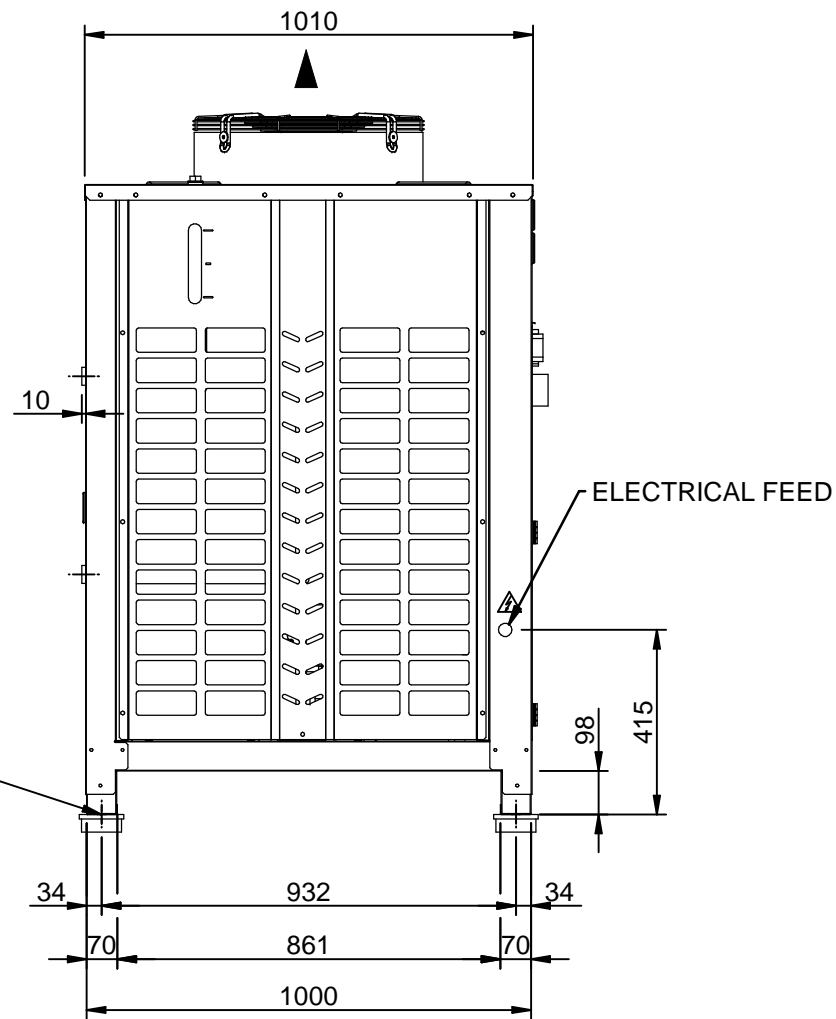
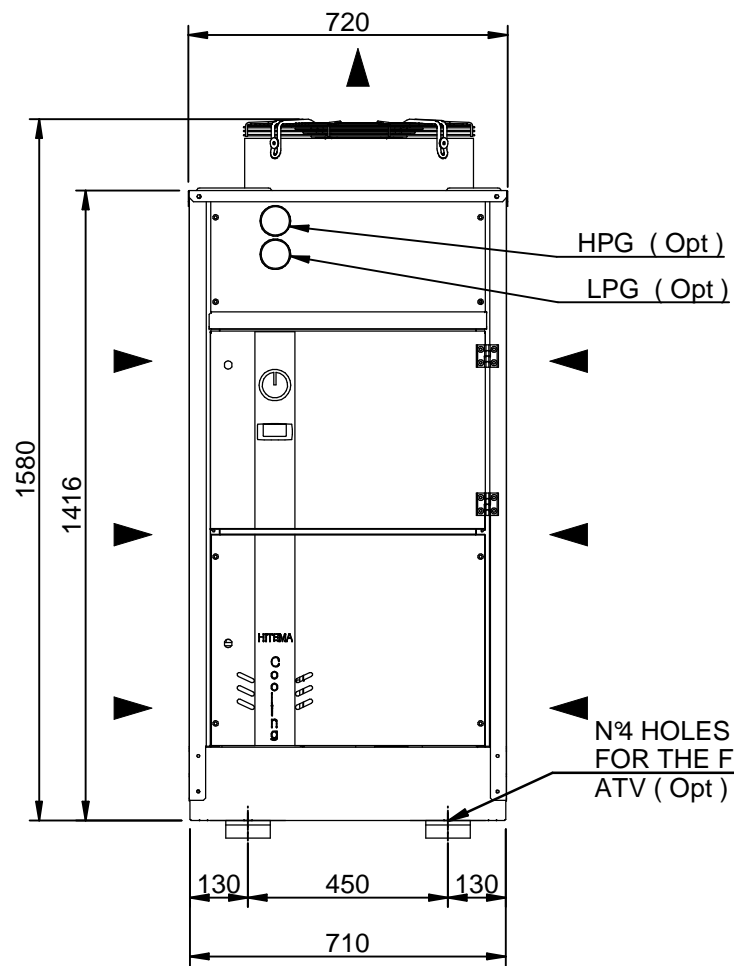
- Check the weight on the CE label to select appropriate lift equipment .
- Before lifting the unit make sure that the external panel is firmly fixed in place.
- The movement must be performed with caution and avoid abrupt movements.
- Never move the unit on rollers.



MOD.	EMPTY WEIGHT	OPERATING WEIGHT
CFT.008	135 kg	135 kg
CFT.010	135 kg	135 kg
CFT.012	140 kg	140 kg
CFT.016	140 kg	140 kg

Scala-Scale	Data-Date	Dis.to-Drawn	N°Pezzi
	27/07/16	M. M.	
Peso-Weight Kg.	Materiali-Materials		
Denominazione-Denomination			
WATER CHILLERS mod. CFT.008÷016			
Particolare-Detail			
Overall dimension - Lift Instruction			
REFRIGERANT R410a			
DIS.-DRAW N.		DIM-CFT-008ST01	
Rev.		00	
PROGRAM.N.			



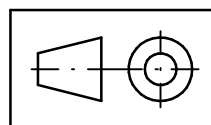


LEGEND

HPG	High pressure gauge (Opt)
LPG	Low pressure gauge (Opt)
ATV	Rubber type antivibrant mounting (Opt)

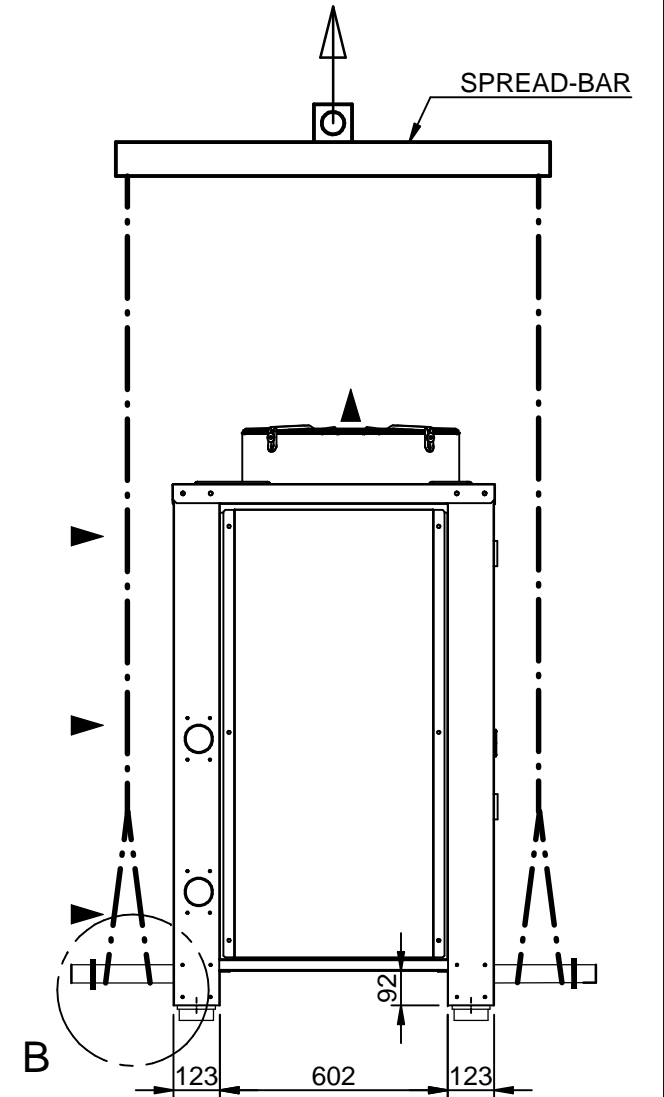
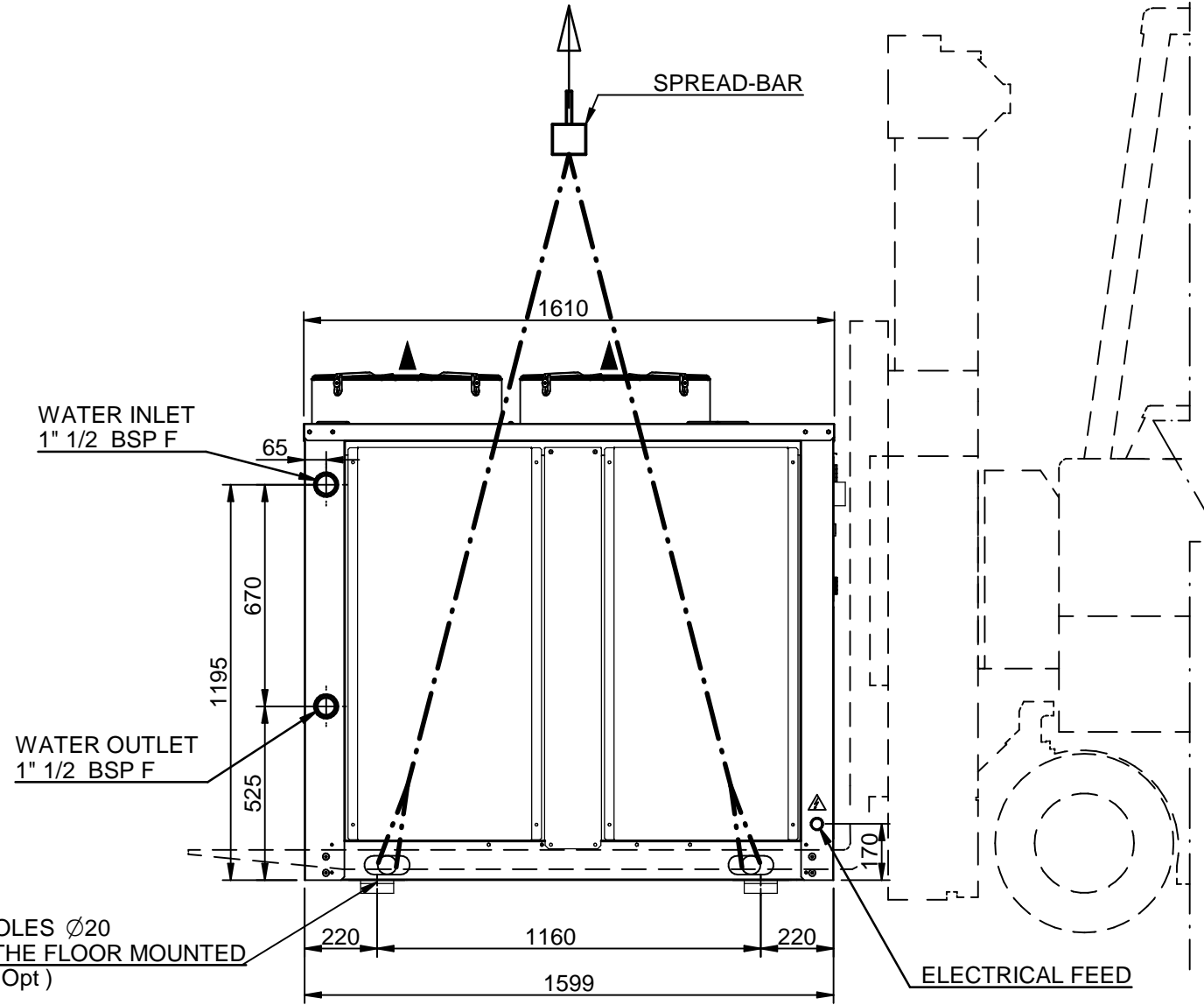
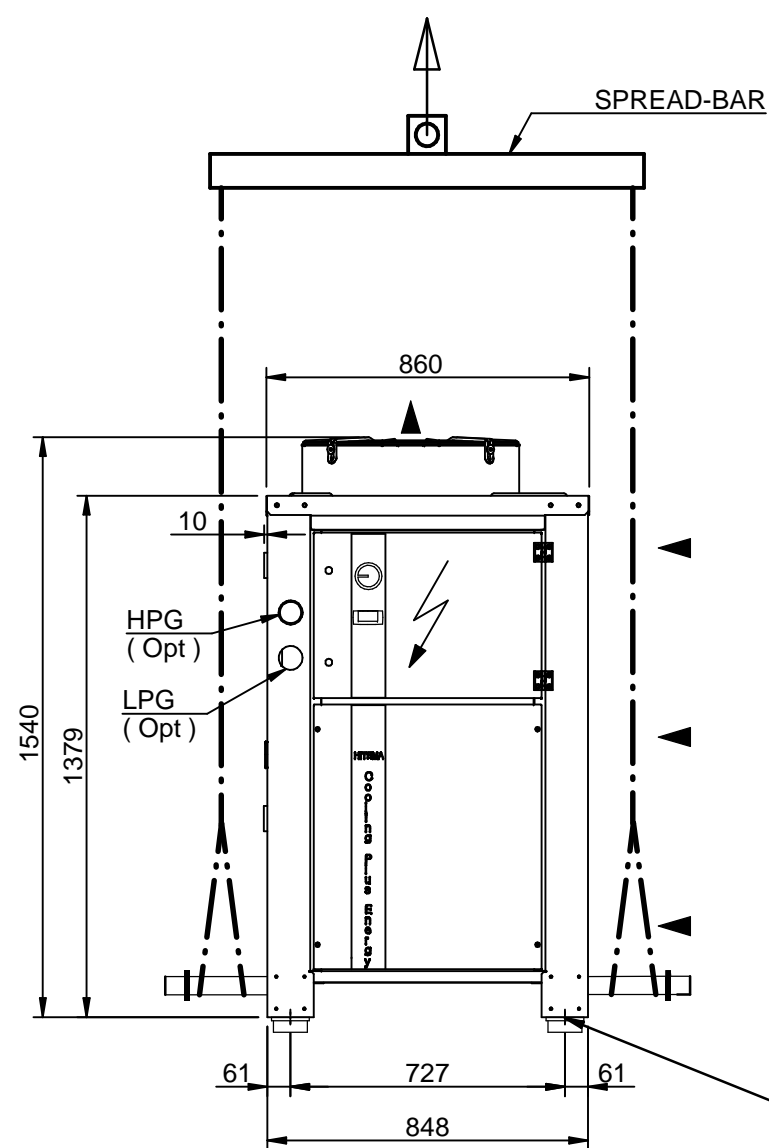
LIFTING AND CARRIAGE PRECAUTIONS

- Check the weight on the CE label to select appropriate lift equipment .
- Before lifting the unit make sure that the external panel is firmly fixed in place.
- The movement must be performed with caution and avoid abrupt movements.
- Never move the unit on rollers.



MOD.	EMPTY WEIGHT	OPERATING WEIGHT
CFT.018	165 kg	165 kg
CFT.022	205 kg	205 kg

Scala-Scale	Data-Date	Dis.to-Drawn	N°Pezzi	HITEMA [®]
	27/07/16	M.M.		
Peso-Weight Kg.	Materiali-Materials			
Denominazione-Denomination				DIS.-DRAW N.
WATER CHILLERS mod. CFT.018÷022				DIM-CFT-018ST01
Particolare-Detail				Rev.
Overall dimension - Lift Instruction				00
REFRIGERANT R410a				PROGRAM.N.

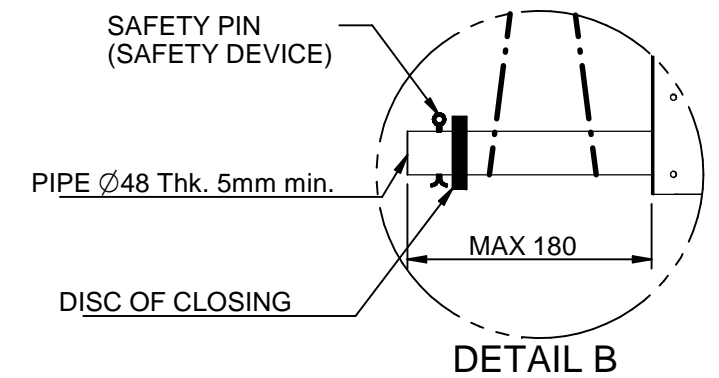
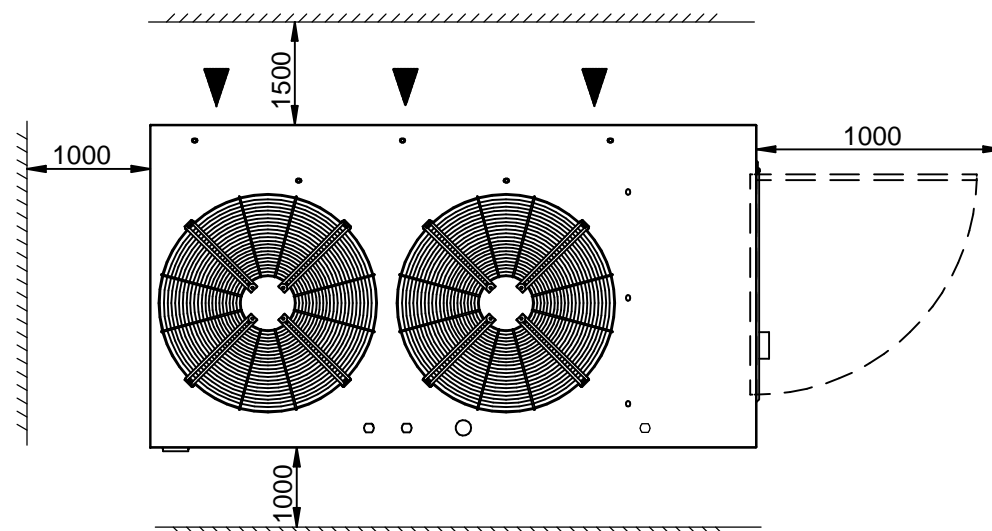


LEGEND

HPG	High pressure gauge (Opt)
LPG	Low pressure gauge (Opt)
ATV	Rubber type antivibrant mounting (Opt)

LIFTING AND CARRIAGE PRECAUTIONS

- Check the weight on the CE label to select appropriate lift equipment .
- Before lifting the unit make sure that the external panel is firmly fixed in place.
- To use only lifting points provided.
- The chains or slings must be of equal length.
- To use a spread-bar to avoid damage to the unit.
- The movement must be performed with caution and avoid abrupt movements.
- Never move the unit on rollers.

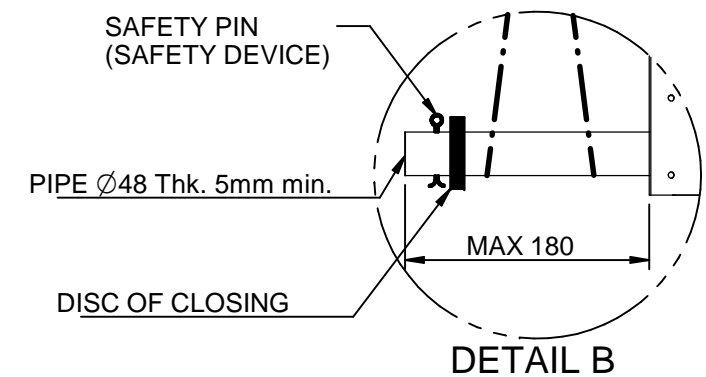
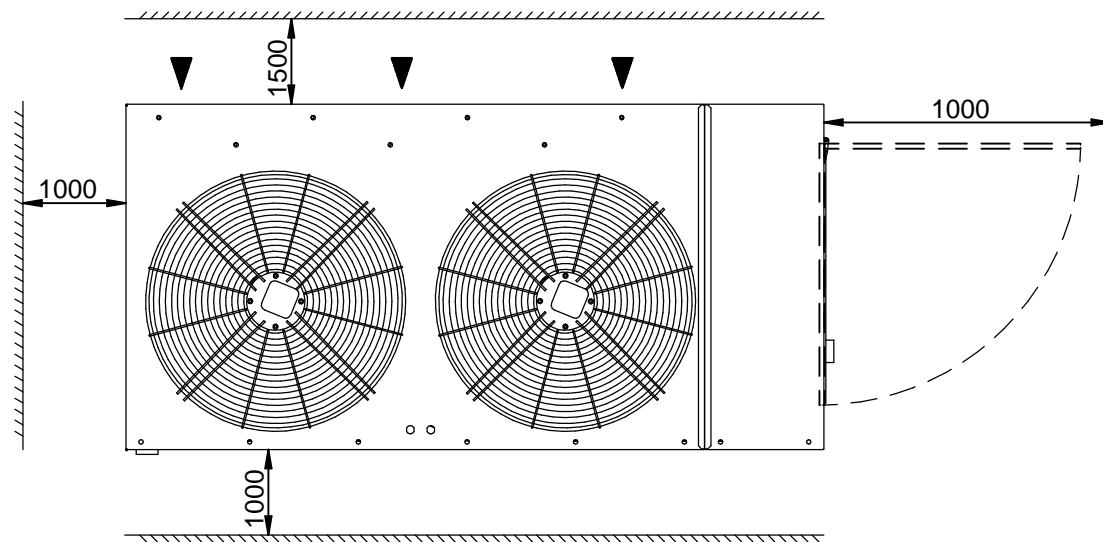
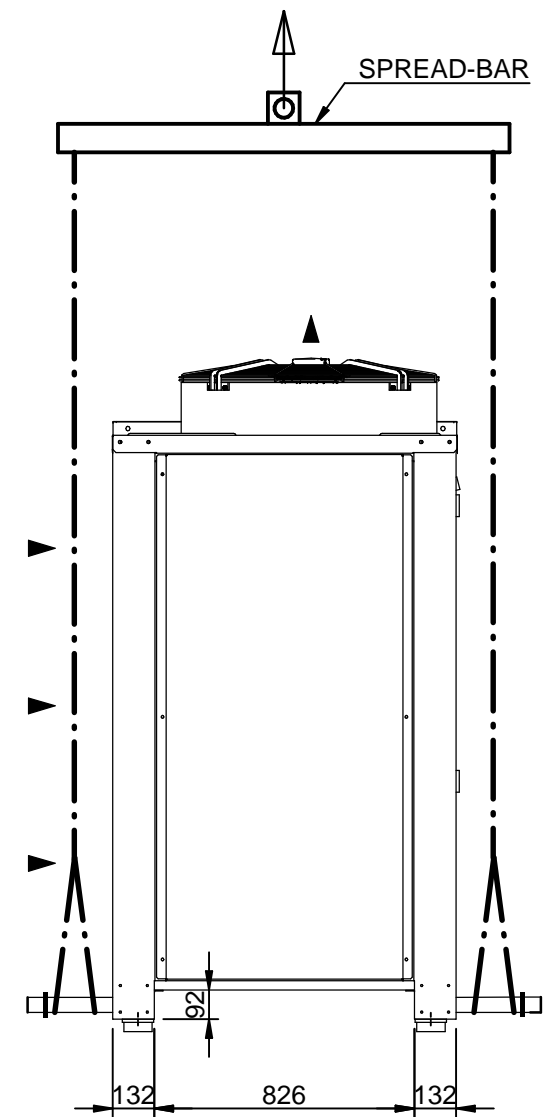
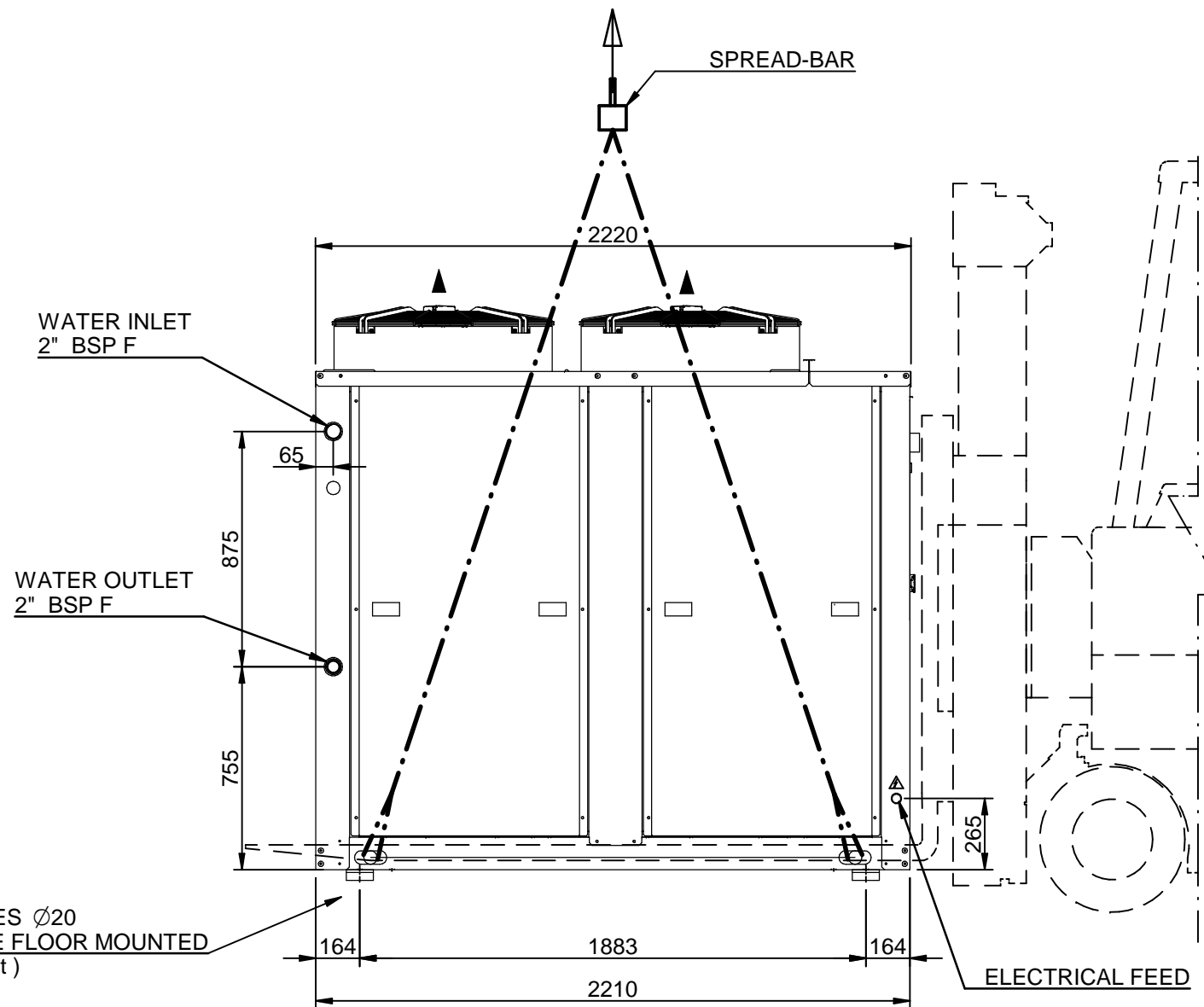
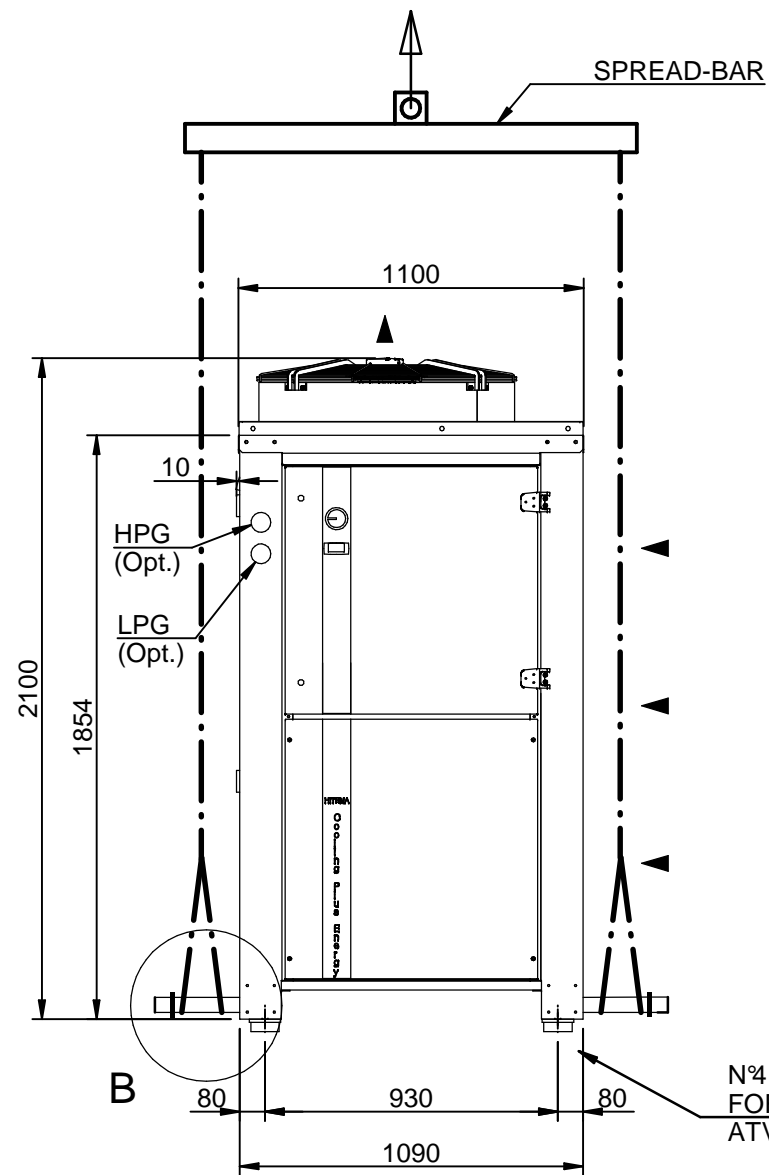


MOD.	EMPTY WEIGHT	OPERATING WEIGHT
CFT.030	275 kg	280 kg
CFT.038	280 kg	285 kg
CFT.045	295 kg	300 kg
CFT.055	375 kg	380 kg

Scala-Scale	Data-Date	Dis.to-Drawn	N°Pezzi
	27/03/15	M. M.	01
Peso-Weight Kg.	Materiali-Materials		
Denominazione-Denomination			
WATER CHILLERS mod. CFT.030÷055			
Particolare-Detail			
Overall dimension - Lift Instruction			
REFRIGERANT R410a			

HITEMA®

DIS.-DRAW N.	DIM-CFT-030ST01
Revisione	02 - M.M. - 03/08/16
PROGRAM.N.	



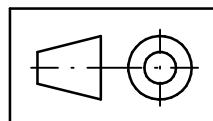
LEGEND

HPG	High pressure gauge (Opt)
LPG	Low pressure gauge (Opt)
ATV	Rubber type antivibrant mounting (Opt)

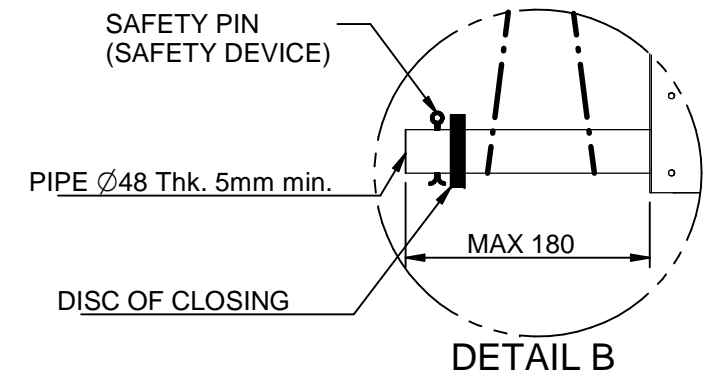
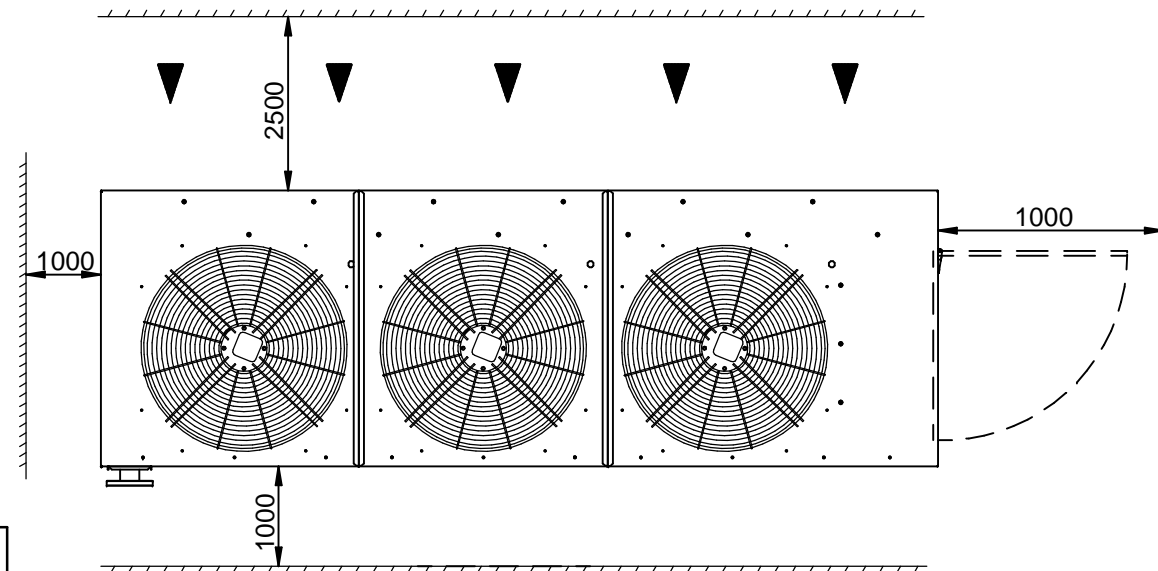
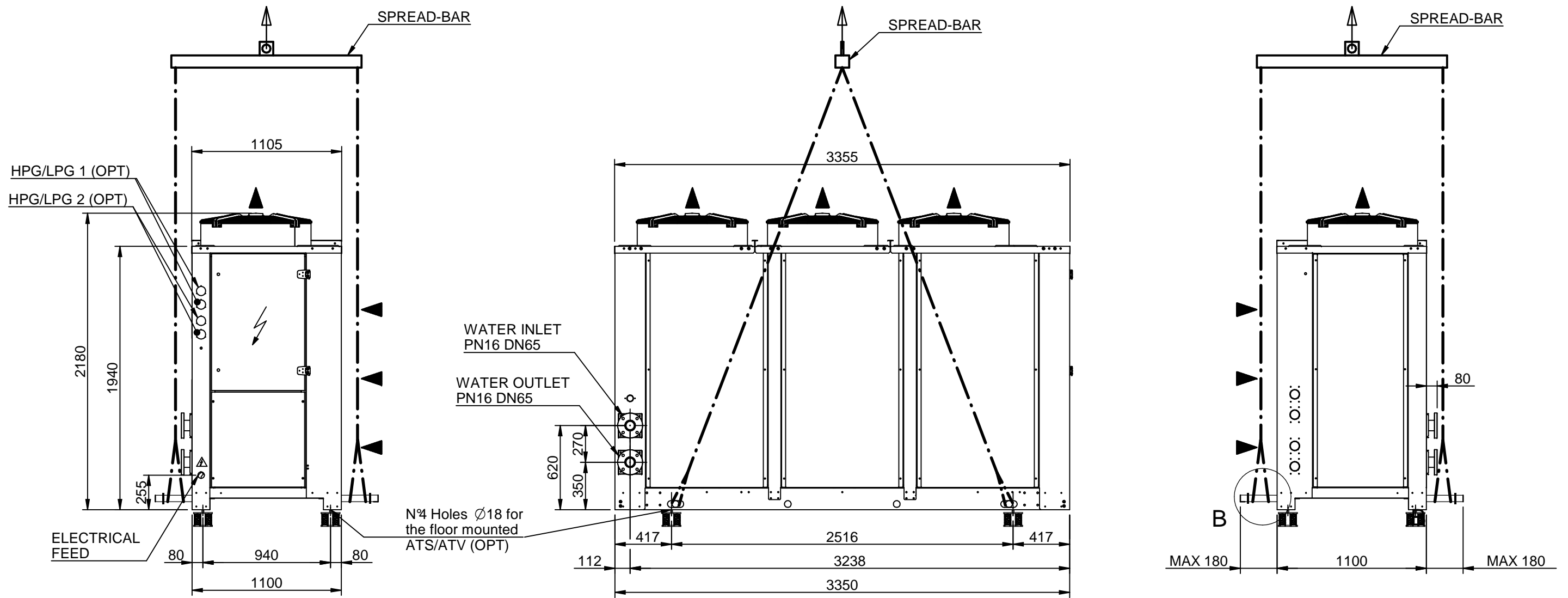
MOD.	EMPTY WEIGHT	OPERATING WEIGHT
CFT.061	530 kg	545 kg
CFT.070	560 kg	575 kg
CFT.075	565 kg	580 kg
CFT.090	585 kg	600 kg
CFT.100	670 kg	685 kg

LIFTING AND CARRIAGE PRECAUTIONS

- Check the weight on the CE label to select appropriate lift equipment .
- Before lifting the unit make sure that the external panel is firmly fixed in place.
- To use only lifting points provided.
- The chains or slings must be of equal length.
- To use a spread-bar to avoid damage to the unit.
- The movement must be performed with caution and avoid abrupt movements.
- Never move the unit on rollers.



Scala-Scale	Data-Date	Dis.to-Drawn	N°Pezzi	HITEMA [®]
	05/02/09	L.A.	01	
Peso-Weight Kg.	Materiali-Materials			DIS.-DRAW N.
Denominazione-Denomination				DIM-CFT-061ST01
WATER CHILLERS mod. CFT.061÷100				Rev.
Particolare-Detail				03 -M.M.- 03/08/16
Overall dimension - Lift Instruction				PROGRAM.N.
REFRIGERANT R410a				

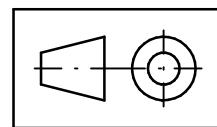


LEGEND

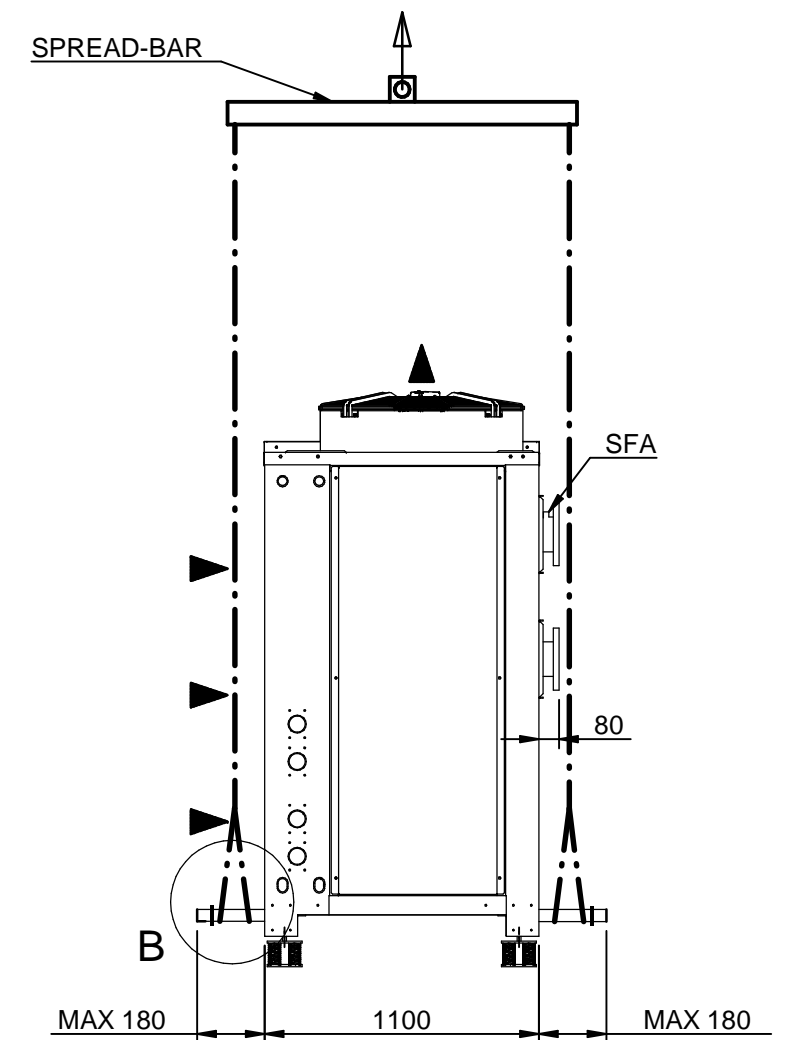
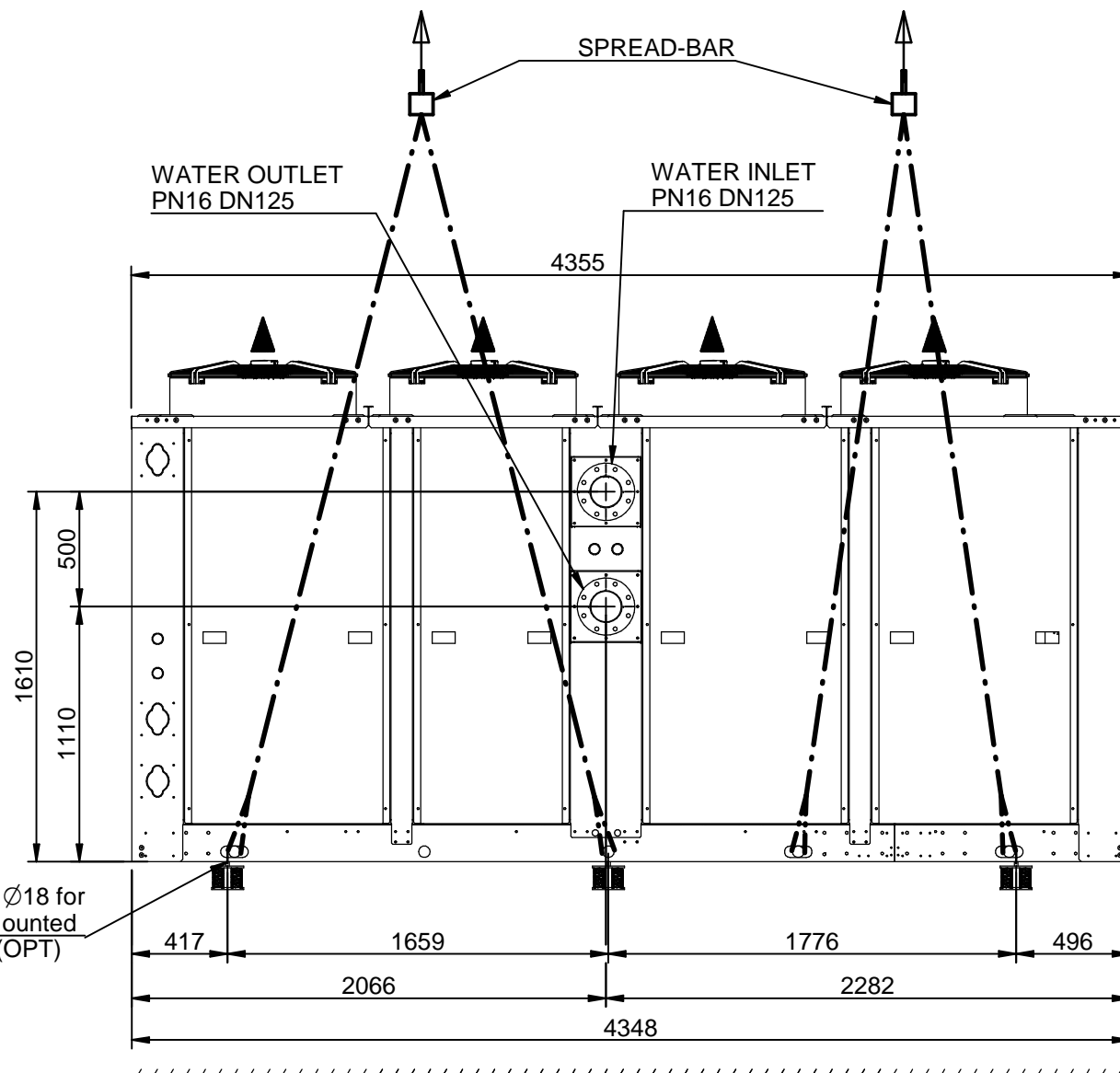
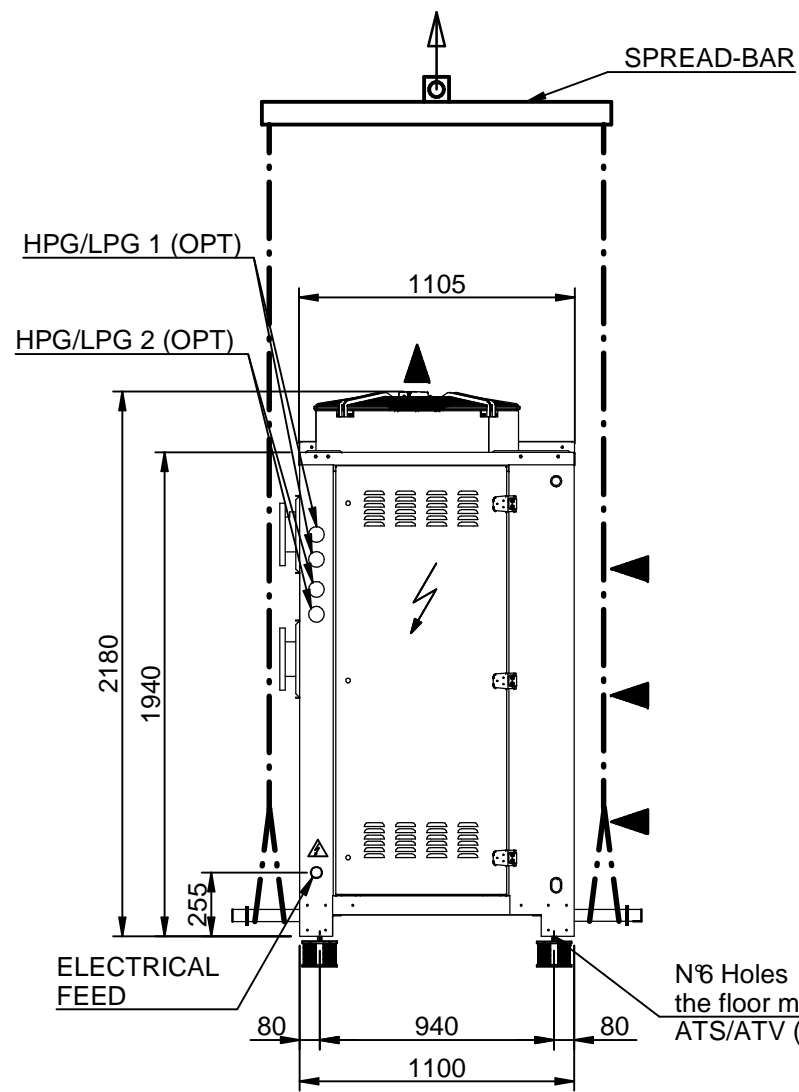
HPG	High pressure gauge (Opt)
LPG	Low pressure gauge (Opt)
ATS	Spring type antivibrant mounting (Opt)
ATV	Rubber type antivibrant mounting (Opt)

LIFTING AND CARRIAGE PRECAUTIONS

- Check the weight on the CE label to select appropriate lift equipment .
- Before lifting the unit make sure that the external panel is firmly fixed in place.
- To use only lifting points provided.
- The chains or slings must be of equal length.
- To use a spread-bar to avoid damage to the unit.
- The movement must be performed with caution and avoid abrupt movements.
- Never move the unit on rollers.
- Never lift the unit using a fork-lift.

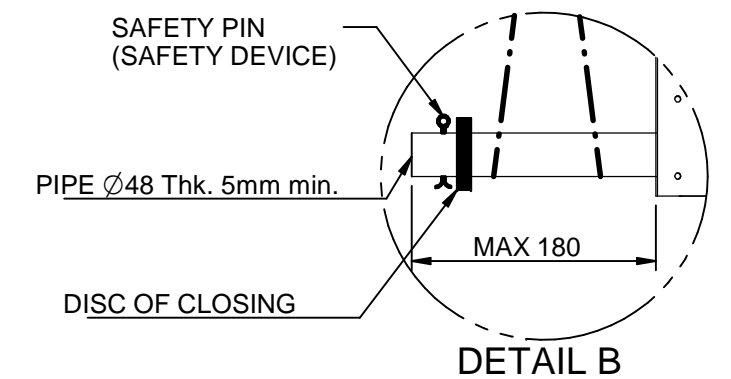
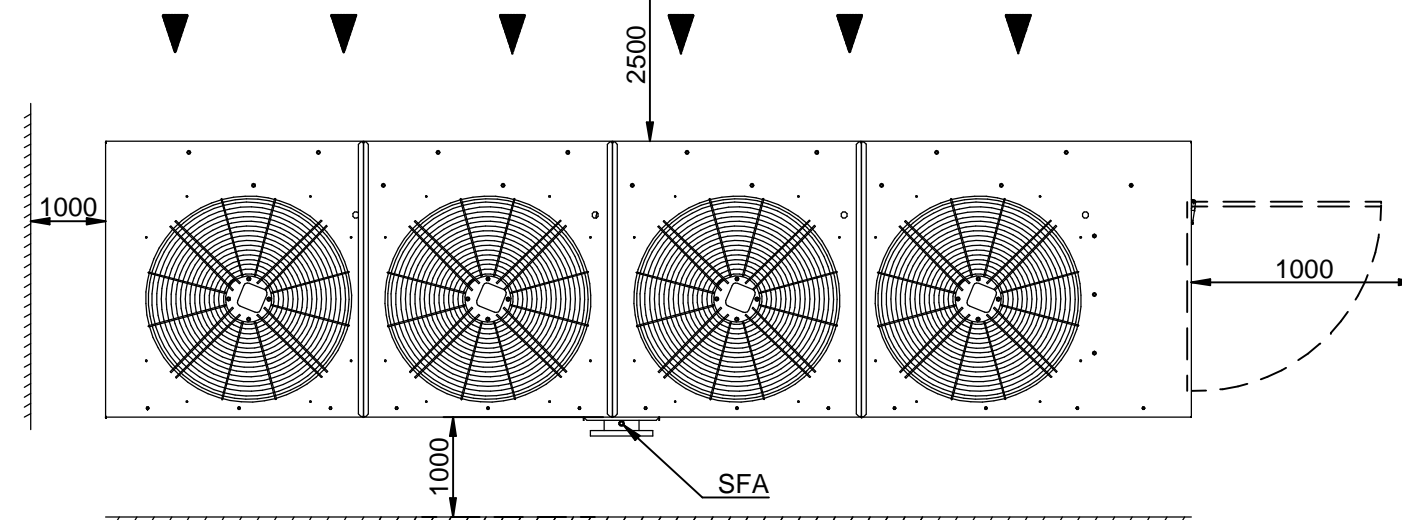


Scala-Scale	Data-Date	Dis.to-Drawn	N°Pezzi	HITEMA®
	30/03/15	M.M.		
Peso-Weight Kg.	Materiali-Materials			DIS.-DRAW N.
Denominazione-Denomination				DIM-CFT-130ST01
WATER CHILLERS mod. CFT.130÷185				Rev.
Particolare-Detail				00
Overall dimension - Lift Instruction				PROGRAM.N.
REFRIGERANT R410a				



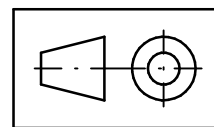
LEGEND

HPG	High pressure gauge (Opt)
LPG	Low pressure gauge (Opt)
SFA	Manual air vent
ATS	Spring type antivibrant mounting (Opt)
ATV	Rubber type antivibrant mounting (Opt)



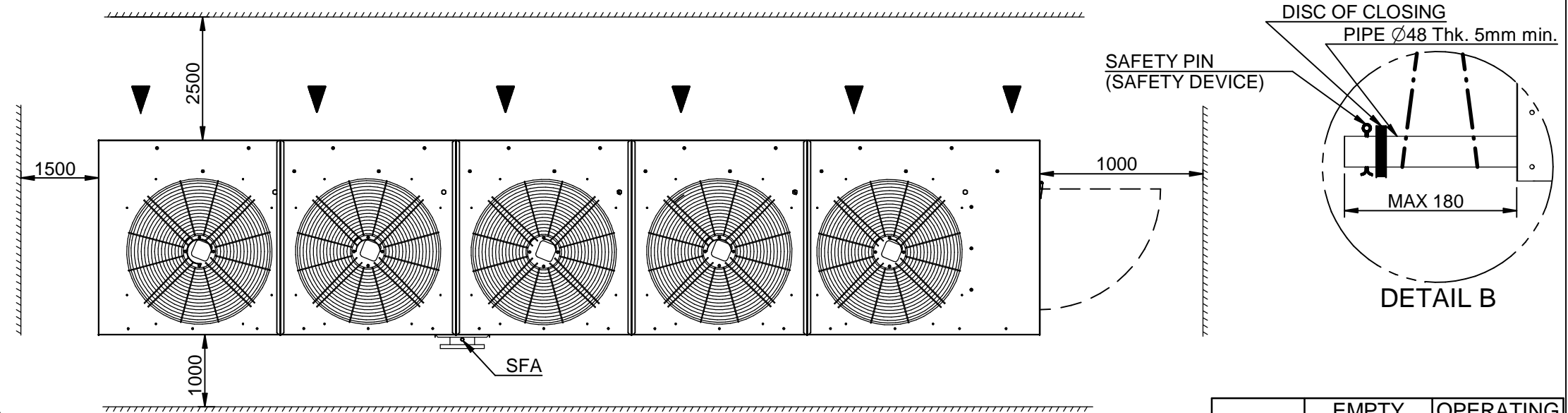
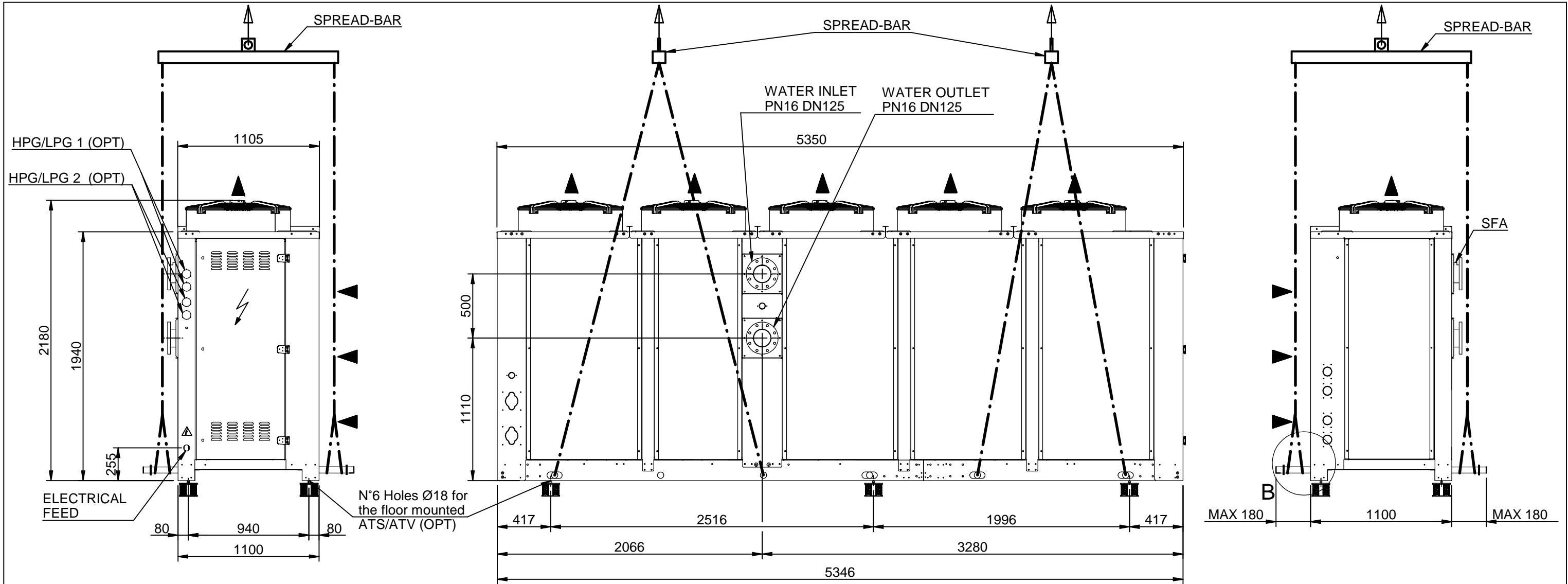
LIFTING AND CARRIAGE PRECAUTIONS

- Check the weight on the CE label to select appropriate lift equipment .
- Before lifting the unit make sure that the external panel is firmly fixed in place.
- To use only lifting points provided.
- The chains or slings must be of equal length.
- To use a spread-bar to avoid damage to the unit.
- The movement must be performed with caution and avoid abrupt movements.
- Never move the unit on rollers.
- Never lift the unit using a fork-lift.



Scala-Scale	Data-Date	Dis.to-Drawn	N°Pezzi
	03/08/16	M.M.	
Peso-Weight Kg.	Materiali-Materials		
Denominazione-Denomination	WATER CHILLERS mod. CFT.200		
Particolare-Detail	Overall dimension - Lift Instruction		
REFRIGERANT R410a			
MOD.	EMPTY WEIGHT	OPERATING WEIGHT	
CFT.200	1690 kg	1710 kg	
DIS.-DRAW N.		DIM-CFT-200ST01	
Rev.		00	
PROGRAM.N.			

HITEMA®

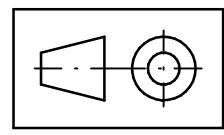
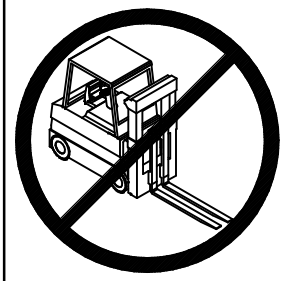


LEGEND

HPG	High pressure gauge (Opt)
LPG	Low pressure gauge (Opt)
SFA	Manual air vent
ATS	Spring type antivibrant mounting (Opt)
ATV	Rubber type antivibrant mounting (Opt)

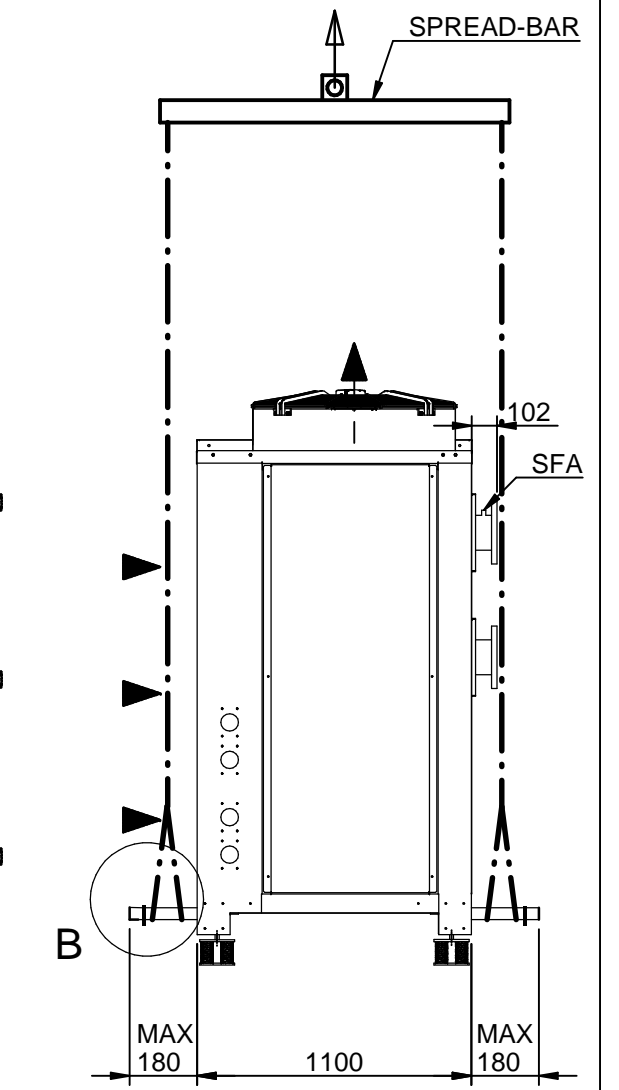
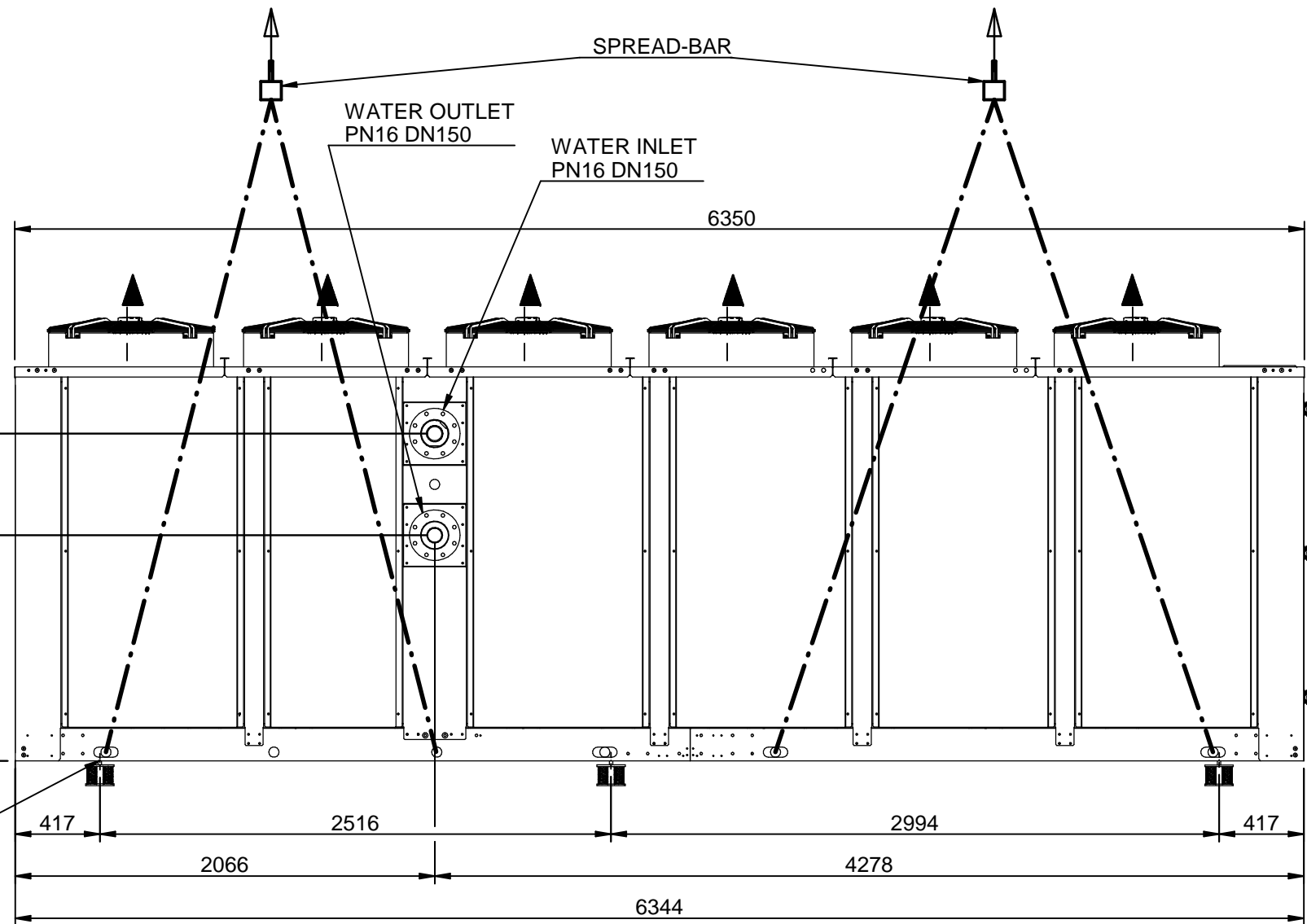
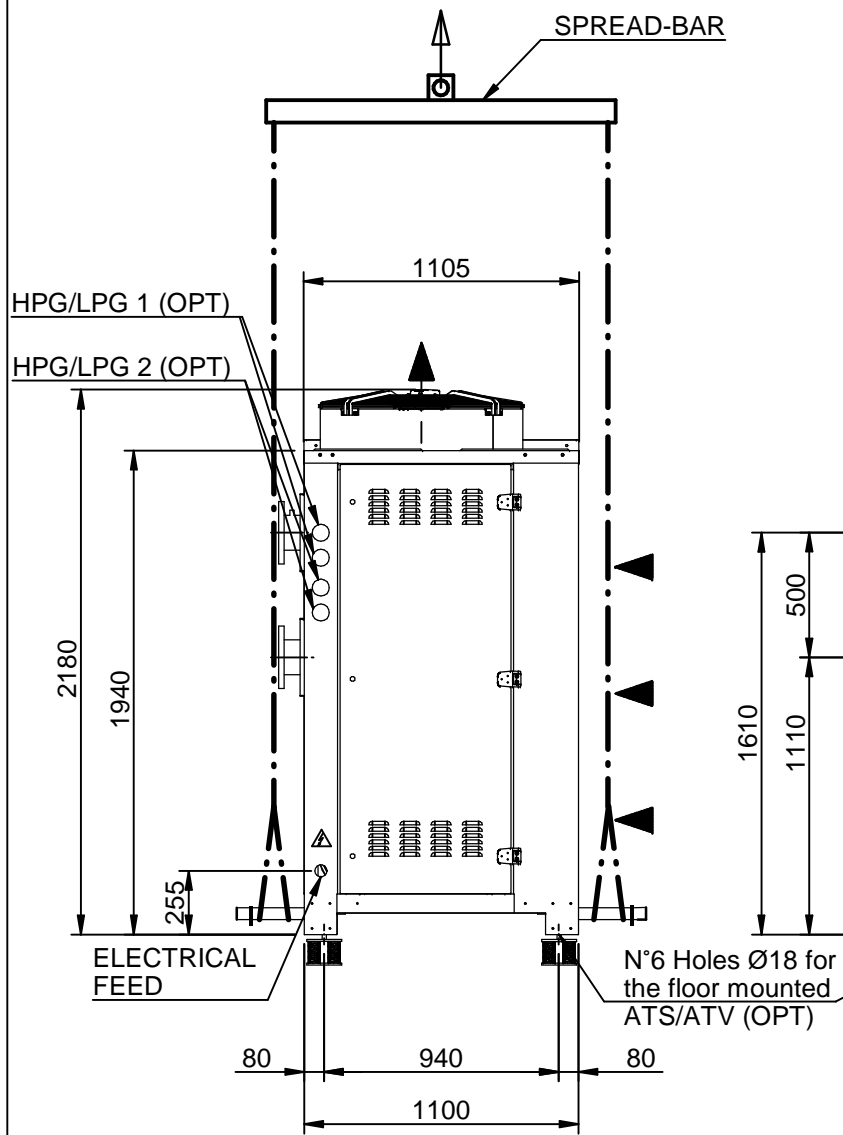
LIFTING AND CARRIAGE PRECAUTIONS

- Check the weight on the CE label to select appropriate lift equipment .
- Before lifting the unit make sure that the external panel is firmly fixed in place.
- To use only lifting points provided.
- The chains or slings must be of equal length.
- To use a spread-bar to avoid damage to the unit.
- The movement must be performed with caution and avoid abrupt movements.
- Never move the unit on rollers.
- Never lift the unit using a fork-lift.



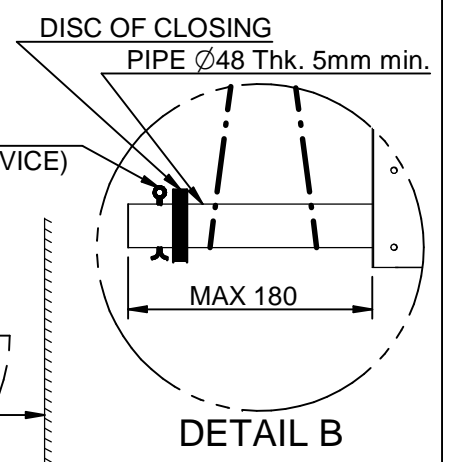
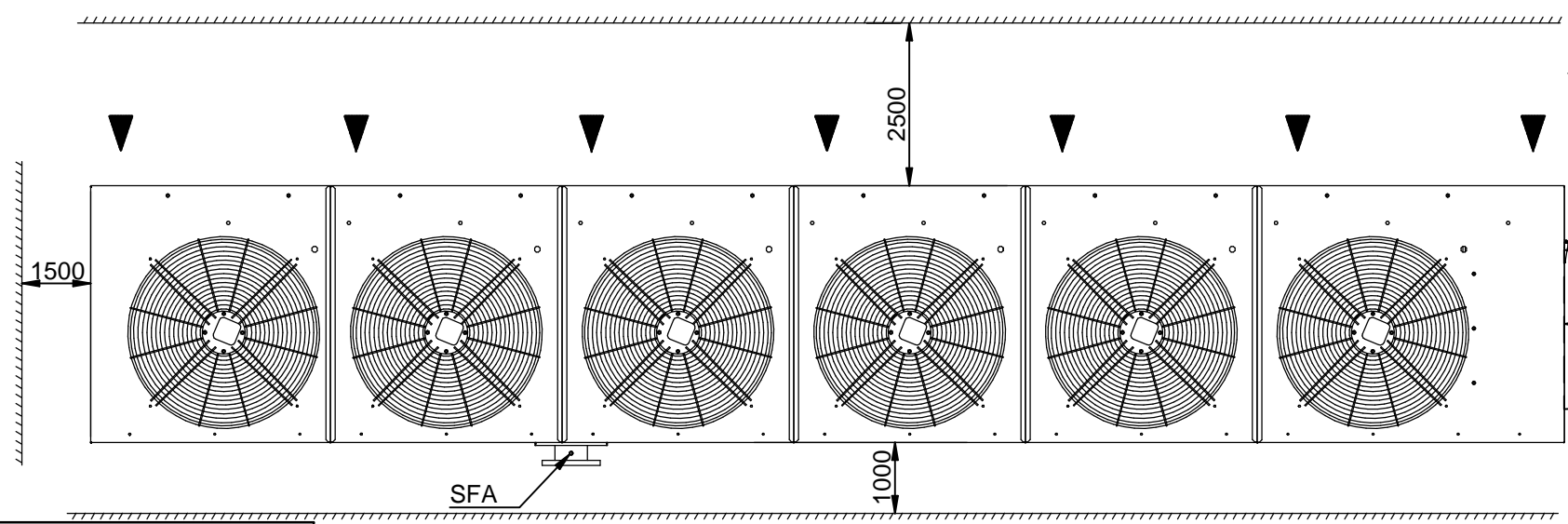
Scala-Scale	Data-Date	Dis.to-Drawn	N°Pezzi
	30/03/15	M.M.	
Peso-Weight Kg.	Materiali-Materials		
Denominazione-Denomination			
WATER CHILLERS mod. CFT.230÷340			
Particolare-Detail			
Overall dimension - Lift Instruction			
REFRIGERANT R410a			
DIS.-DRAW N.		DIM-CFT-230ST01	
Rev.		01-M.M.-28/07/16	
PROGRAM.N.			





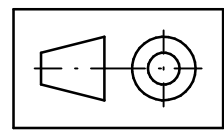
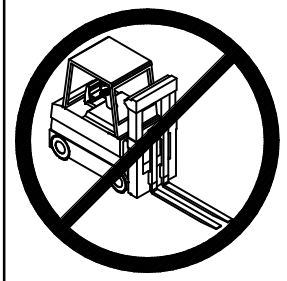
LEGEND

HPG	High pressure gauge (Opt)
LPG	Low pressure gauge (Opt)
SFA	Manual air vent
ATS	Spring type antivibrant mounting (Opt)
ATV	Rubber type antivibrant mounting (Opt)



LIFTING AND CARRIAGE PRECAUTIONS

- Check the weight on the CE label to select appropriate lift equipment .
- Before lifting the unit make sure that the external panel is firmly fixed in place.
- To use only lifting points provided.
- The chains or slings must be of equal length.
- To use a spread-bar to avoid damage to the unit.
- The movement must be performed with caution and avoid abrupt movements.
- Never move the unit on rollers.
- Never lift the unit using a fork-lift.



MOD.	EMPTY WEIGHT	OPERATING WEIGHT
CFT.370	2410 kg	2455 kg
CFT.430	2565 kg	2615 kg
CFT.480	2670 kg	2730 kg

Scala-Scale	Data-Date	Dis.to-Drawn	N°Pezzi
	31/03/15	M.M.	
Peso-Weight Kg.	Materiali-Materials		
Denominazione-Denomination			
WATER CHILLERS mod. CFT.370÷480			
Particolare-Detail			
Overall dimension - Lift Instruction			
REFRIGERANT R410a			

HITEMA ®	
DIS.-DRAW N.	DIM-CFT-370ST01
Rev.	02 - M.M. - 01/08/16
PROGRAM.N.	